

Hammer®

User manual

Translation

Bandsaw

N3700 e-classic / N3800 / N4400



Keep this manual handy and in good condition for continual reference!!



Note: Year of construction

The machine number of this machine will be printed on the cover sheet of this operating manual..
The final two digits of the machine number show the year of construction of this machine..
e.g. XXX.XX.XXX.15 -> Year of construction 2015



Attention! The machine must be inspected immediately upon arrival. If the machine has been damaged during transport, or if any parts are missing, a written record of the problems must be submitted to the forwarding agent and a damage report compiled. Also be sure to notify your supplier immediately.



For the safety of all personnel, it is necessary to study this manual thoroughly before assembly and operation. This manual must be kept in good condition and should be considered as part of the machine. Furthermore, the manual must be kept to hand and within the vicinity of the machine so that it is accessible to operators when using, maintaining or repairing the machine.

HAMMER | A product of the FELDER GROUP!

© Felder KG
KR-FELDER-STR 1
A-6060 Hall in Tirol

Tel. +43 (0) 5223 45 0 90
Fax. +43 (0) 5223 45 0 99

E-Mail: info@hammer.at
Internet: www.hammer.at

Table of contents

Content

1 General.....	5
1.1 Symbol legend	5
1.2 Information regarding the manual.....	5
1.3 Liability and warranty	6
1.4 Copyright	6
1.5 Warranty notice	6
1.6 Spare parts.....	6
1.7 Disposal.....	7
2 Safety	8
2.1 Intended use	8
2.2 Manual contents.....	8
2.3 Making changes and modifications to the machine.....	8
2.4 Responsibilities of the operator	9
2.5 Personnel requirements.....	9
2.6 Work safety.....	9
2.7 Personal protective equipment	10
2.8 Machine hazards	10
2.9 Other risks.....	10
3 Declaration of Conformity	11
4 Specifications.....	12
4.1 Dimensions and weight	12
4.2 Noise emission	12
4.3 Operation and storage conditions	13
4.4 Electrical connection	13
4.5 Dust Extractors	14
5. Assembly.....	15
5.1 Overview	15
5.2 Data plate	16
5.3 Automatic braking system	16
5.4 Brake system - USA model	16
6 Setup and installation	17
6.1 Safety instructions.....	17
6.2 Setup.....	17
6.2.1 Setting up the work table	18
6.2.2 Positioning the 90° end stop on the work table	18
6.2.3 Rip fence	18
6.2.4 Positioning and levelling the machine.....	19

Content

7 Operation.....	20
7.1 Safety instructions.....	20
7.2 Blade selection and maintenance	21
7.3 Saw blade replacement/tension	22
7.4 Tilting the table	22
7.5 Adjusting the saw blade guide	23
7.5.1 Height adjustable protection device	23
7.5.2 Saw blade guide upper / down (Optional with the N3700)	23
7.6 Switching on the machine / Switching off the machine.....	24
7.7 Authorised working techniques	24
7.7.1 Longitudinal cut along the marked line	24
7.7.2 Cutting round workpieces in the transverse direction	25
7.7.3 Cutting workpieces on the upright edge	25
7.7.4 Longitudinal cut of narrow or thin workpieces with the longitudinal guide fence	25
7.7.5 Mitre cuts	26
7.7.6 Circular cuts	26
7.7.7 Diagonal cross-cut of rectangular workpieces.....	26
8 Service	27
8.1 Safety instructions.....	27
8.2 Tightening/replacing the drive belt	27
8.3 Replacing the rubber wearing surface of wheels.....	28
8.4 Cleaning and lubrication	28
8.5 Direction of cut and parallelism	28
9 Faults	29
9.1 Safety instructions.....	29
9.2 What to do if a fault develops.....	29
9.3 What to do after rectifying the fault	29
9.4 Faults, causes and repairs.....	30
10 Circuit diagrams / Spare parts	30

General

1 General

1.1 Symbol legend

Important technical safety instructions in this manual are marked with symbols. These instructions for work safety must be followed.

In all these particular cases, special attention must be paid in order to avoid accidents, injury to persons or material damage.



Warning!: Risk of injury or death!!

This symbol marks instructions that must be followed in order to avoid harm to one's health, injuries, permanent impairment or death!



Warning!: Danger! Electric current!!

This symbol warns of potentially dangerous situations relating to electric current. Not observing the safety instructions increases the risk of serious injury or death. All electrical repairs must be carried out by a qualified electrician!



Attention!: Risk of material damage!!

This symbol marks instructions which, if not observed, may lead to material damage, functional failures and/or machine breakdown!



Note::

This symbol marks tips and information which should be observed to ensure efficient and failure-free operation of the machine.

1.2 Information regarding the manual

This manual describes how to operate the machine properly and safely. Be sure to follow the safety tips and instructions stated here as well as any local accident prevention regulations and general safety regulations. Before beginning any work on the machine, ensure that the manual, in particular the chapter entitled "Safety" and the respective safety guidelines, has been read in its

entirety and fully understood. This manual is an integral part of the machine and must therefore be kept in the direct vicinity of the machine and be accessible at all times. If the machine is sold, rented, lent or otherwise transferred to another party, the manual must accompany the machine.

General

1.3 Liability and warranty

The contents and instructions in this manual have been compiled in consideration of current regulations and state-of-the-art technology as well as based on our know-how and experience acquired over many years. This manual must be read carefully before commencing any work on or with this machine. The manufacturer shall not be liable for damage and/or faults resulting from the disregard of instructions in the manual. The text and images do not necessarily represent the delivery contents. The images and graphics are not depicted on

a 1:1 scale. The actual delivery contents are dependent on custom-build specifications, add-on options or recent technical modifications and may therefore deviate from the descriptions, instructions and images contained in the manual. Should any questions arise, please contact the manufacturer. We reserve the right to make technical modifications to the product in order to further improve user-friendliness and develop its functionality.

1.4 Copyright

This manual should be handled confidentially. It is designated solely for those persons who work on or with the machine. All descriptions, texts, drawings, photos and other depictions are protected by copyright and other commercial laws. Illegal use of the materials is punishable by law.

This manual, in its entirety or parts thereof, may not be transferred to third parties or copied in any way or

form, and its contents may not be used or otherwise communicated without the express written consent of the manufacturer.

Infringement of these rights may lead to a demand for compensation or other applicable claims. We reserve all rights in exercising commercial protection laws.

1.5 Warranty notice

The guarantee period is in accordance with national guidelines. Details may be found on our website, www.felder-group.com

1.6 Spare parts

! **Attention!:** Non genuine, counterfeit or faulty spare parts may result in damage, cause malfunction or complete breakdown of the machine.

If unauthorised spare parts are fitted into the machine, all warranty, service, compensation and liability claims against the manufacturer and their contractors, dealers

and representatives shall be rejected. Use only genuine spare parts supplied by the manufacturer.

i **Note:** The original spare parts that have been authorised for use are listed in a separate spare parts catalogue, enclosed in the documentation package supplied with the machine.

General

1.7 Disposal

If the machine is to be disposed of, separate the components into the various materials groups in order to allow them to be reused or selectively disposed of. The whole structure is made of steel and can therefore be dismantled without problem.

This material is also easy to dispose of and does not pol-

lute the environment or jeopardise public health. International environmental regulations and local disposal laws must always be complied with.



Attention!: Used electrical materials, electronic components, lubricants and other auxiliary substances must be treated as hazardous waste and may only be disposed of by specialised, licensed firms.

Safety

2 Safety

At the time of its development and production, the machine was built in accordance with prevailing technological regulations and therefore conforms to industry safety standards.

However, hazards may arise should the machine be operated by untrained personnel, used improperly or employed for purposes other than those it was designed for. The chapter entitled "Safety" offers an overview of all the important safety considerations necessary to optimise

safety and ensure the safe and trouble-free operation of the machine.

To further minimise risks, the other chapters of this manual contain specific safety instructions, all marked with symbols. Besides the various instructions, there are a number of pictograms, signs and labels affixed to the machine that must also be heeded. These must be kept visible and must not be removed.

2.1 Intended use

The machine described in this manual is intended solely for processing wood and similar machinable materials. The machine should only be used to cut wood and wood-

like panels. Operational safety is guaranteed only when the machine is used for the intended purposes.



Attention!: Any use outside of the machine's intended purpose shall be considered improper and is therefore not permitted. All claims regarding damage resulting from improper use that are made against the manufacturer and its authorised representatives shall be rejected. The operator shall be solely liable for any damage that results from improper use of the machine.

The term "proper use" also refers to correctly observing the operating conditions as well as the specifications and instructions in this manual.

The machine may only be operated with parts and original accessories from the manufacturer.

2.2 Manual contents

All those appointed to work on or with the machine must have fully read and understood the manual before commencing any work. This requirement must be met even if the appointed person is familiar with the operation of such a machine or a similar one, or has been trained by the manufacturer. Knowledge about the contents of this manual is a prerequisite for protecting

personnel from hazards and avoiding mistakes so that the machine may be operated in a safe and trouble-free manner. It is recommended that the operator requests proof from the personnel that the contents of the manual have been read and understood.

2.3 Making changes and modifications to the machine

In order to minimise risks and to ensure optimal performance, it is strictly prohibited to alter, retrofit or modify the machine in any way without the express consent of the manufacturer. All the pictograms, signs and labels affixed to the machine must be kept visible, readable and

may not be removed. Pictograms, signs and labels that have become damaged or unreadable must be replaced promptly.

Safety

2.4 Responsibilities of the operator

This manual must be kept in the immediate vicinity of the machine and be accessible at all times to all persons working on or with the machine. The machine may only be operated if it is in proper working order and in safe condition. The general condition of the machine must be controlled and the machine must be inspected for visible defects every time before it is switched on. All instructions in this manual must be strictly followed without reservation.

Besides the safety advice and instructions stated in this manual, it is necessary to consider and observe local

accident prevention regulations, general safety regulations as well as current environmental stipulations that apply to the operational range of the machine. The operator and designated personnel are responsible for the trouble-free operation of the machine as well as for clearly establishing who is in charge of installing, servicing, maintaining and cleaning the machine. Machines, tools and accessories must be kept out of the reach of children.

2.5 Personnel requirements

Only authorised and trained personnel may work on and with the machine. Personnel must be briefed about all functions and potential dangers of the machine. "Specialist staff" is a term that refers to those who – due to their professional training, know-how, experience, and knowledge of relevant regulations – are in a position to assess delegated tasks and recognise potential risks. If the personnel lack the necessary knowledge for working on or with the machine, they must first be trained. Responsibility for working with the machine (installation, service, maintenance, overhaul) must be clearly defined and strictly observed. Only those persons who can be expected to carry out their work reliably may be given permission to work on or with the machine. Personnel

must refrain from working in ways that could harm others, the environment or the machine itself. It is absolutely forbidden for anyone who is under the influence of drugs, alcohol or reaction-impairing medication to work on or with the machine. When appointing personnel to work on the machine, it is necessary to observe all local regulations regarding age and professional status. The user is also responsible for ensuring that unauthorised persons remain at a safe distance from the machine. Personnel are obliged to immediately report any irregularities with the machine that might compromise safety to the operator.

2.6 Work safety

Following the safety advice and instructions given in this manual can prevent bodily injury and material damage while working on and with the machine. Failure to observe these instructions can lead to bodily injury and damage to or destruction of the machine. Disregard of the safety advice and instructions given in this manual

as well as the accident prevention regulations and general safety regulations applicable to the operative range of the machine shall release the manufacturer and their authorised representatives from any liability and from all compensation claims.

Safety

2.7 Personal protective equipment

When working on or with the machine, the following must be strictly observed:



Persons with long hair who are not wearing a hairnet are not permitted to work on or with the machine!

When working on or with the machine, the following must always be worn by personnel:



Protective clothes

Sturdy, tight-fitting clothing (tear-resistant, no wide sleeves, no jewellery (rings, bracelets, necklaces, etc.)).



Protective footwear

To protect the feet from heavy falling objects and prevent sliding on slippery floors



Hearing protection

To protect against loss of hearing.

2.8 Machine hazards

The machine has undergone a hazard analysis. The design and construction of the machine are based on the results of this analysis and correspond to state-of-the-art technology.

The machine is considered operationally safe when used

properly.

Nevertheless, there are some remaining risks that must be considered.

The machine runs at high electrical voltage.



Warning!! Danger! Electric current!: Electrical energy can cause serious bodily injury. Damaged insulation materials or defective individual components can cause a life-threatening electrical shock.

- Before carrying out any maintenance, cleaning and repair work, switch off the machine and ensure that it can not be accidentally switched on again.
- When carrying out any work on the electrical equipment, ensure that the voltage supply is completely isolated.
- Do not remove any safety devices or alter them to prevent them from functioning correctly.

2.9 Other risks

- Hearing damage as a result of high noise levels
- Health impairments due to the inhalation of airborne particles, especially when working with beech and oak wood.

Declaration of Conformity

3 Declaration of Conformity



EG-Declaration of Conformity
According to Machine Guidelines 2006/42/EG

We hereby declare that the machine indicated below, which corresponds to the design and construction of the model we placed on the market, conforms with the health and safety requirements as stated by the EC.

Manufacturer:	Felder KG KR-FELDER-STR. 1 A-6060 Hall in Tirol
Product designation:	Bandsaw
Make:	HAMMER
Model designation:	N3700 e-classic / N3800 / N4400
The following EC guidelines were applied:	2006/42/EG 2006/95/EG 2004/108/EG
The following harmonised norms were applied:	EN 1807-1

This EC Declaration of Conformity is valid only if the CE label has been affixed to the machine.

Modifying or altering the machine without the express written agreement of the manufacturer shall render the warranty null and void.

The signatory of this statement is the appointed agent for the compilation of the technical information.

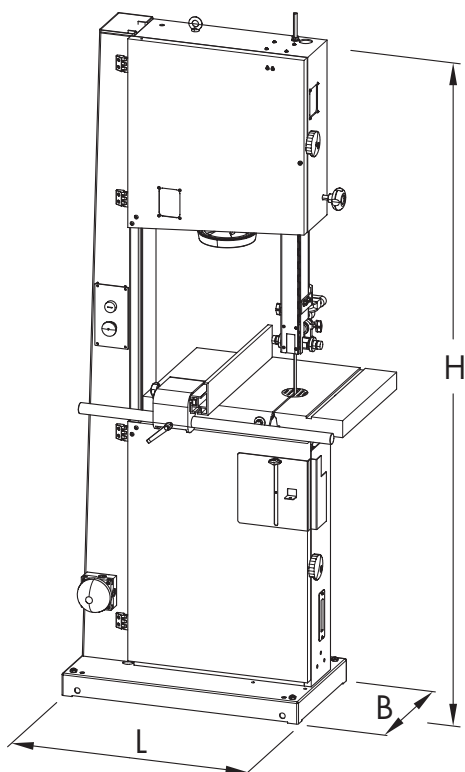
Hall in Tirol, 1.2.2013

Johann Felder, Managing Director FELDER KG
KR-FELDER-STR. 1 • A-6060 Hall in Tirol

Specifications

4 Specifications

4.1 Dimensions and weight



Machine (L x W x H)	N3700/N3800	N4400
Total size	829 x	800 x
	454 x	650 x
	1750 mm	1865 mm
Package size	640 x	780 x
	390 x	660 x
	1820 mm	1900 mm
Net weight	150 kg	170 kg

Bandsaw	N3700/N3800	N4400
Cutting height	310 mm	310 mm
Rip capacity max.	360 mm	420 mm
- -Rip fence	320 mm	377 mm
Saw blade length	3556 mm	3976 mm
Saw blade width	6 - 20 mm	6 - 25 mm
Saw blade speed	20 m/sec	20 m/sec
Wheel diameter	380 mm	440 mm
Table size	400 x 510 mm	420 x 575 mm
Tiltable table	-5° max. +45°	-10° max. +45°

Fig. 4-1: Total size

4.2 Noise emission

The given values are emission values and not safe workplace values. Although there is a correlation between emission and immission levels, it is not possible to state whether increased safety measures are required.

Factors which can considerably influence the present immission level at the workplace include the duration of exposure, the character of the work area and other influences in the neighbouring area.

Acceptable workplace values may also vary from country to country. However, this information should help the user to better assess the hazards and risks.

Depending on the installation location and other variables, the resulting noise emission can differ by up to 4 db (A) from the given values.

Model	L Aeq	LW (A)	Lpc	
N3800	84,5 dB (A)	93,7 dB (A)	2,3 mW	< 130 dB (A)
N4400	84,7 dB (A)	97,1 dB (A)	5,1 mW	< 130 dB (A)

Specifications

4.3 Operation and storage conditions

Operating/room temperature	+10 to +40 °C
Storage temperature	-10 to +50 °C

4.4 Electrical connection

N3700/N3800	Wechselstrommotor	Drehstrommotor
Motor voltage	1x 230 V	3x 400 V
motor frequency	50/60 Hz	50/60 Hz
Motor power S6-40 % ^{*)}	1,5 kW	1,5 kW
System of protection	IP 55	IP 55

N4400	Wechselstrommotor	Drehstrommotor
Motor voltage	1x 230 V	3x 400 V
motor frequency	50/60 Hz	50/60 Hz
Motor power S6-40 % ^{*)}	2,5 kW	2,5 kW
System of protection	IP 55	IP 55

^{*)} S6 = operation under load and intermittent service; 40% = relative operating factor



Attention! All operations may only be executed by an authorised electrical technician!
Safeguarding: see the wiring diagram

The following electrical requirements must be fulfilled:

- Earth the machine using an electrical conductor.
- The voltage regulation in the electricity network must not exceed $\pm 10\%$ of the rated voltage.
- The current supply has to be protected against damages e.g. armoured conduit.
- Connected vacuum hoses have to be earthed to avoid electrostatic charges.
The electrical connection may only be carried out by a competent and qualified person with the appropriate training.

Ensure that the mains supply is correct for the machine and use connecting cables with a cross-section appropriate to the power consumption of the drive motor.

The minimum conductor cable size is 2,5 mm for a 400V supply. If the mains voltage is 230V or has a rated current above 15 A, it is necessary to use higher capacity cabling.

Connect the 3 phases with the R-S-T clamps (L1-L2-L3) and the yellow-green electrical conductor with the earthing clamp (Pe).
When the machine is first switched on, check the rotational direction and if incorrect, exchange two phases in the connection box.
The rotational direction of one phase motors has been set correctly by the manufacturer.
After connection, check that the connection box and cable gland have been screwed tightly.

The dust extractor has to be connected to the machine in such a way as to be operating automatically when the bandsaw is switched on.

This can be achieved for example by an induction switch in the machine supply line.

Specifications

4.5 Dust Extractors

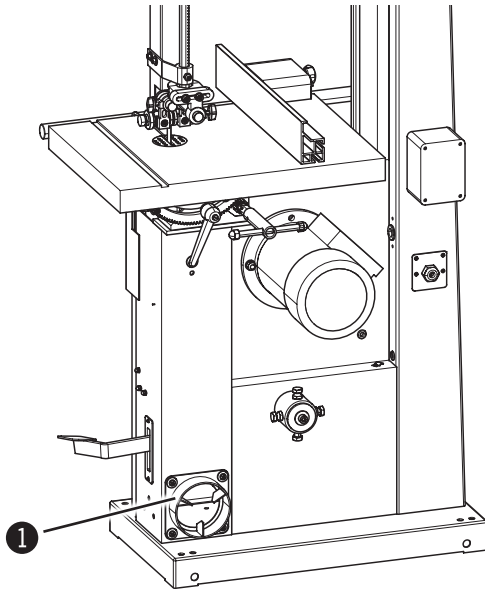


Fig.. 4-2: Connection ports

1 Connection ports 120 mm

The machine has to be connected to a dust extractor. The connection values and the position of the connection port are shown on the picture.

The air speed at the connection point has to be a minimum of 20 m/s for materials with a humidity less than 12 %.

The air speed should be increased to 25–28 m/s to extract dust from more humid materials (over 12 %).

Only flame resistant vacuum hoses can be used, conforming to DIN 4102 B1 and any other safety regulations in effect.

Extraction connection-Ø	120 mm
Air speed	20 m/s
Min. depression	773 Pa
Volume flow min.	814 m ³ /h

Assembly

5. Assembly

5.1 Overview

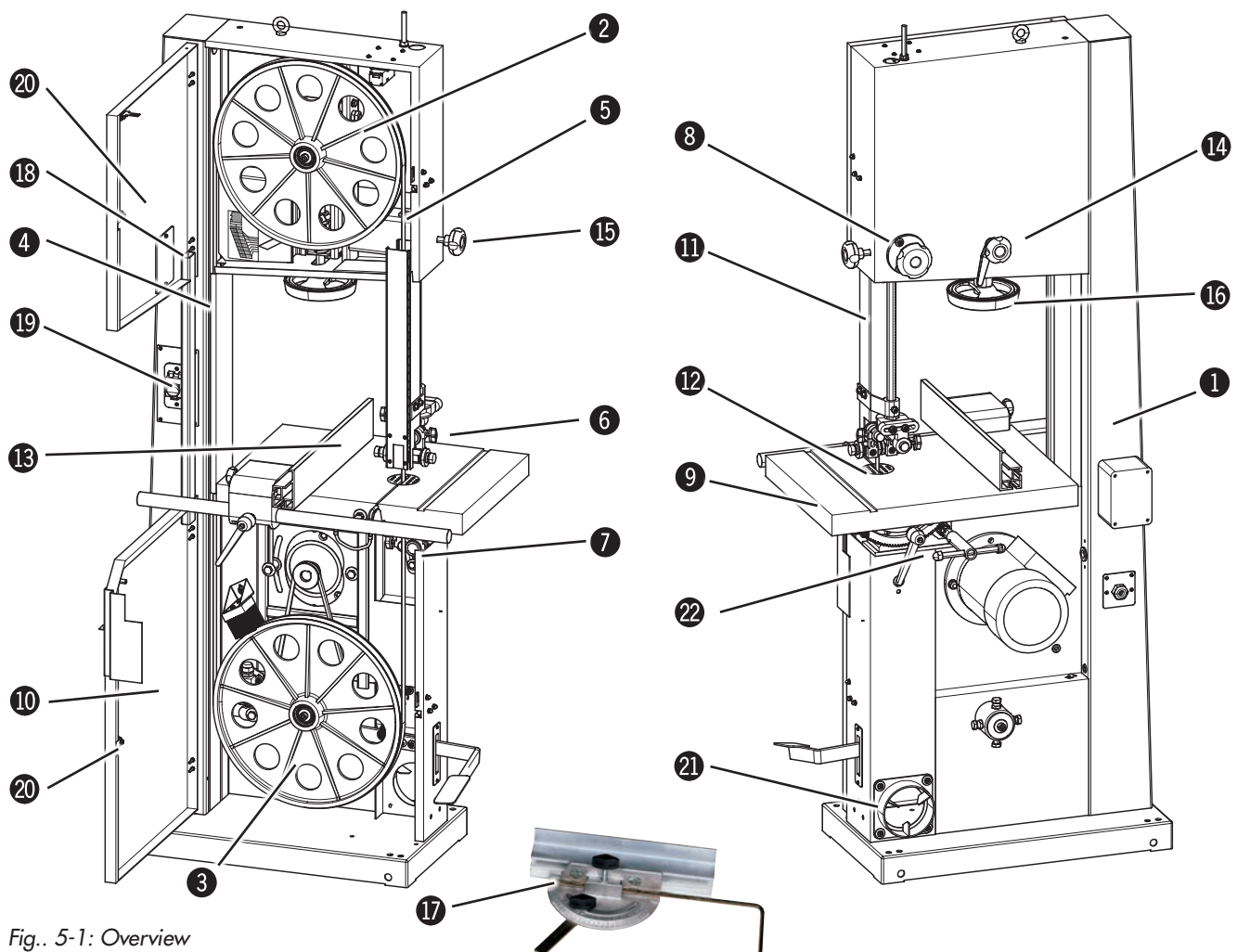


Fig.. 5-1: Overview

- ① Machine base-frame
- ② Upper wheel
- ③ Lower wheel
- ④ Rising part of saw blade
- ⑤ Falling part of saw blade
- ⑥ Upper blade guide
- ⑦ Lower blade guide (Optional)
- ⑧ Blade guide height adjustment
- ⑨ Work bench
- ⑩ Wheel door
- ⑪ Height adjustable protection device
- ⑫ Table insert
- ⑬ Guide fence
- ⑭ Saw blade track - Adjuster hand wheel and clamping lever
- ⑮ Lock wheel - Blade guide height adjustment
- ⑯ Blade tension hand wheel
- ⑰ mitre fence (Accessories)
- ⑱ Saw blade tension indicator window
- ⑲ On/Off switch
- ⑳ Lock wheel - Wheel door
- ㉑ Vacuum connector
- ㉒ Tilttable table
(Adjuster hand wheel and clamping lever)

Assembly

5.2 Data plate

KR-FELDER-STR.1 A - 6060 HALL in Tirol AUSTRIA Tel.: 0043 (0)5223 / 45 0 90 Fax.: 0043 (0)5223 / 45 0 99 Hammer info@hammer.at / www.hammer.at		
TYPE :		
NR. :		
V:	PH:	HZ:
KW:		A:
Baujahr / year of constr. / annee de constr. :		
Motordaten:		

Fig.. 5-2: Data plate

The data plate displays the following specifications:

- Manufacturer information
- Model designation
- Machine number
- Voltage
- Phases
- Frequency
- Motor
- Power supply
- Year of construction
- Motor specifications

5.3 Automatic braking system

Your machine is equipped with an automatic braking unit. The brake is a maintenance-free DC braking unit. All necessary adjustments are done ex factory.

Please contact the FELDER KG service department, if problems or a fault- function should occur!

5.4 Brake system - USA model

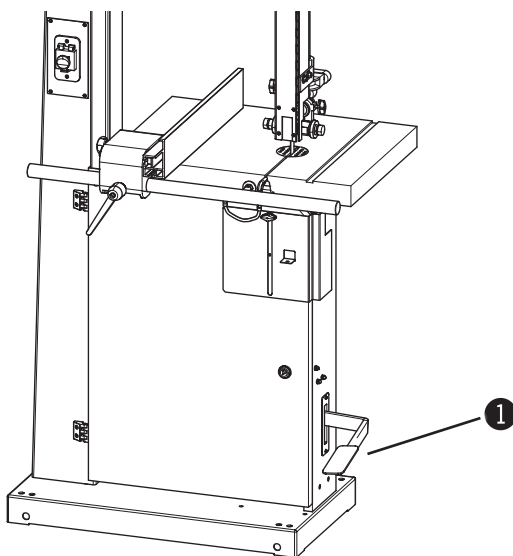


Fig. 5-3: Foot brake

The machine is equipped with a mechanical brake, which guarantees that all the moveable parts will come to a stop within 10 seconds, once the machine has been switched off.

Les mâchoires du frein sont des pièces d'usure et doivent être contrôlées régulièrement et si nécessaire échangées, afin que le frein fonctionne dans le délai impartit.

Please contact the FELDER KG service department, if problems or a fault- function should occur!

- ① Foot brake

Setup and installation

6 Setup and installation

6.1 Safety instructions



Warning! Risk of injury! Improper assembly and installation can lead to serious physical injury or equipment damage. For this reason, this work may only be carried out by authorised, trained personnel who are familiar with how to operate the machine and in strict observance of all safety instructions.

- Ensure that there is sufficient space to work around the machine. Ensure there is ample distance between the machine and other solid constructions such as a walls or other machines.
- Keep the work area orderly and clean. Components and tools that are not put in their correct place or put away may be the cause of accidents!
- Install the safety equipment according to the instructions and check that it functions properly.



Warning! Danger! Electric current! Work on electrical fittings may only be carried out by qualified personnel and in strict observance of the safety instructions.

Before assembling and installing the machine, check to make sure it is complete and in good condition.



Warning! Risk of injury! An incomplete, faulty or damaged machine can lead to serious physical injury or equipment damage. Only assemble and install the machine if the machine and its parts are complete and intact.



Attention! Risk of material damage! Only operate the machine in ambient temperatures from +10°C to +40°C. If the instructions are not followed, damage may occur to bearings.

6.2 Setup

Installation site requirements:

- Operating/room temperature: +10° to +40°C.
- Ensure that the work surface is sufficiently stable and has the proper load-bearing capacity.
- Provide sufficient light at the workstation.
- Ensure there is sufficient clearance for or from neighbouring workstations.
- Risk of injury! Keep machines, tools and accessories etc. out of the reach of children.
- Vacuum hoses and electrical wires should be layed in such a way as to avoid tripping over them.

Setup and installation

6.2.1 Setting up the work table

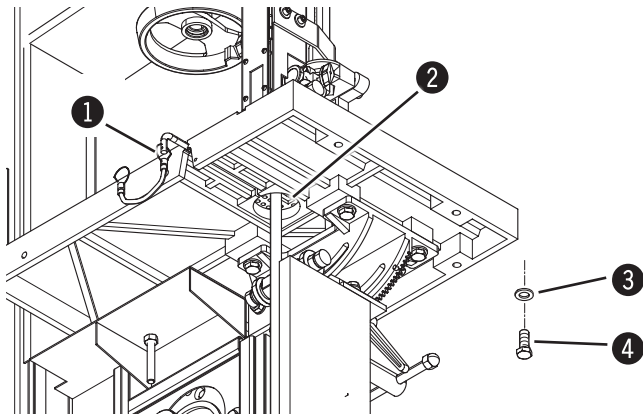


Fig. 6-1: Work table

- The table insert and positioning pin have to be removed to set up the work table.
- Thread the work table around the saw blade and mount to the machine using SKT screws and washers.
- Re-affix the table insert and positioning pin.

- ① Positioning pin
- ② Table insert
- ③ Washers
- ④ Screw

6.2.2 Positioning the 90° end stop on the work table

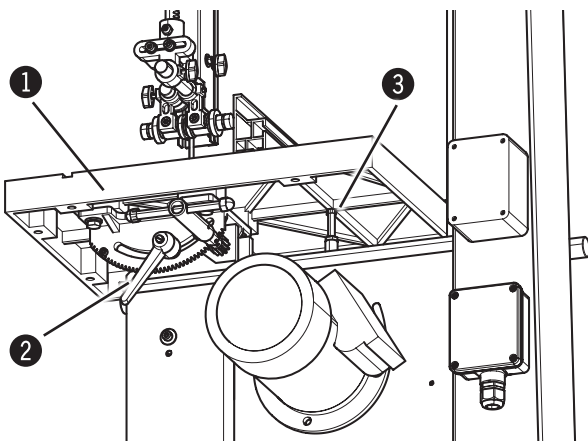


Fig. 6-2: End stop

- Disconnect the machine from the mains supply.
- Loosen the clamping lever.
- Tilt the work table until it rests on the stop screw.
- Determine the exact angle using a 90° triangle.
- If the 90° in the initial position is not correct, adjust the stop screw accordingly.
- Check the 90° angle once the clamping lever is back in place.

- ① Work table
- ② Clamping lever
- ③ Fence screw

6.2.3 Rip fence

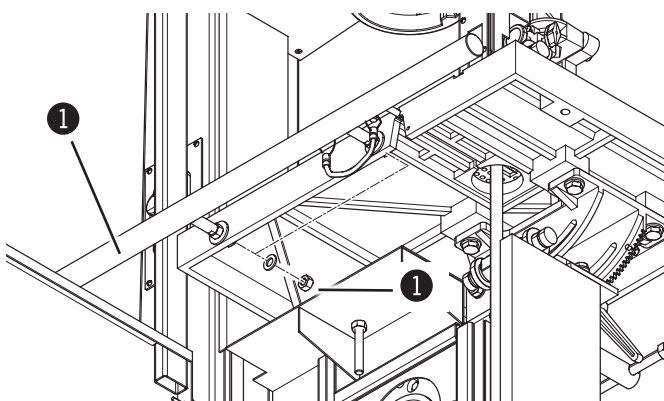


Fig. 6-3: Rip fence

- Use a nut to mount the fence rail to the machine table.
- Slide the premounted fence onto the track.

- ① Nut
- ② Fence rail

Setup and installation

6.2.4 Positioning and levelling the machine

! Attention! Risk of material damage! Do not lift the machine by its work table, extension frames or handwheels.

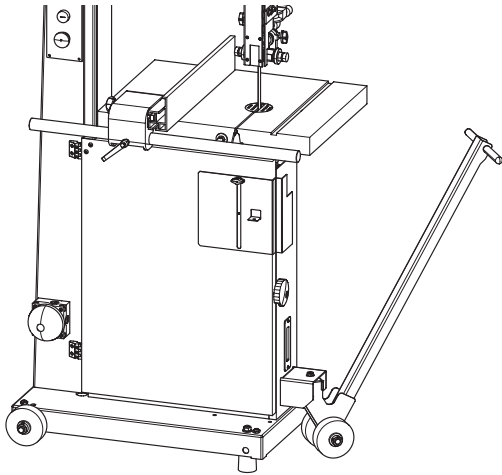


Fig. 6-4: Transport with a rolling carriage

The machine can be transported with a crane, forklift, pallet jack or rolling carriage.

Due to technical reasons, the machine is delivered in a partly dismantled state.

i Note:
The rolling carriage and the lifting bar (option) facilitate the task of transporting the machine.

Accessories Order no.:
Rolling carriage - 503-142
Lifting bar - 510-149

i Note:
There are 4 threaded holes located in the base plate of the machine where the levelling screws supplied with the machine can be screwed into.

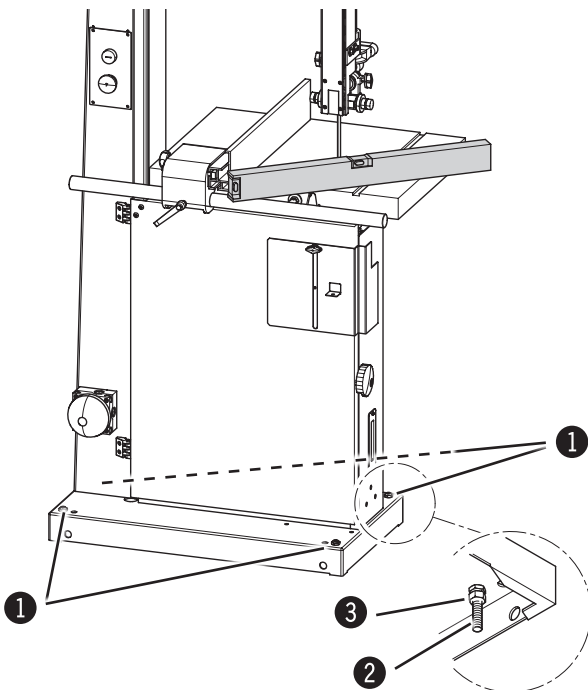


Fig. 6-5: Floor mounting

- ① Screws
- ② Adjusting screw
- ③ Locking nut

The following points are important for a correct and efficient machine installation:

- Position the machine with the aid of a spirit level to ensure that the machine functions precisely and operates smoothly.
- Compensate for uneven floors with the „adjusting screws“ or bolster the machine.
- The machine should be bolted to the floor with M10 screws for optimum stability, however take care not to overtighten the fastening bolts as this will increase vibrations. It is advisable to place vibration dampening pads between the floor and the machine.
- Install the machine in such a way as not to amplify the vibrations and machine noise.
- Ensure that workplace lighting is adequate.
- If the machine is to be installed between other machines, leave at least 80 cm distance in-between, in order to avoid collisions when cutting large workpieces and to allow the use of equipment such as roll supports and additional tables.

Operation

7 Operation

7.1 Safety instructions



Warning! Risk of injury! Improper operation may lead to severe physical injury or material damage. For this reason, this work may only be carried out by authorised, trained personnel who are familiar with how to operate the machine and in strict observance of all safety instructions.

Before starting work:

- Before assembling and installing the machine, check to make sure it is complete and in good condition.
- Ensure that there is sufficient space to work around the machine.
- Keep the work area orderly and clean. Components and tools that are not put in their correct place or put away may be the cause of accidents!
- Ensure that all safety devices have been installed properly.
- Adjustments to the machine or tool replacement may only be conducted once the machine has stopped.
- Only clamp authorised tools to the machine.
- Install the dust extraction system according to the instructions and test its function.
- Only machine workpieces that can be safely placed on the machine and guided.
- Carefully inspect workpieces for foreign matter (nails, screws) which might impair processing.
- Support long workpieces with additional surface equipment (e.g. Table extensions, roll supports).
- Ensure that each unit is rotating in the proper direction.
- Keep tools for handling short and narrow workpieces close at hand.
- Before switching on the machine, always check to make sure that there are no other persons in the immediate vicinity of the machine.

During operation:

- When changing to another workpiece or if a malfunction occurs, first switch off the machine and then secure it against being switched on again accidentally.
- Do not switch off, circumvent or decommission protective and safety devices during operation.
- Do not overload the machine! It is safer and performs better if operated within its power range.

When working on or with the machine, the following must be strictly observed:

- Persons with long hair who are not wearing a hairnet are not permitted to work on or with the machine!
- It is prohibited to wear gloves while working on or with the machine.

When working on or with the machine, the following must always be worn by personnel:

- Sturdy, tight-fitting clothing (tear-resistant, no wide sleeves, no jewellery (rings, bracelets, necklaces, etc.)).
- Protective footwear To protect the feet from heavy falling objects and prevent sliding on slippery floors
- Hearing protection To protect against loss of hearing.



Attention! Risk of material damage!

Only operate the machine in ambient temperatures from +10°C to +40°C. If the instructions are not followed, damage may occur to bearings.

Improper use such as cutting too tight a radius or with too much cutting pressure could cause friction and lead to sparks being generated by the blade guides.

In order to prevent sparks being generated, it is recommended that Super Glide (article number 10.0.010) is used on a regular basis (sprayed on to the guides).

Operation

7.2 Blade selection and maintenance

- i** Selecting the type of saw blade and its width, depends on the material to be cut and the type of cut:
- Narrow saw blades are designed for curved and circular cuts, whereas wide saw blades are designed for straight cuts.
 - A fine-toothed saw blade is required for hard wood, whereas a coarse-toothed saw blade is required for soft wood.

The following saw blades may be used:

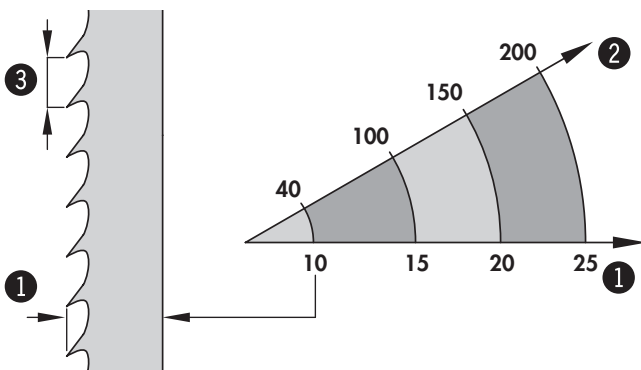


Fig. 7-1: Saw blades

- ① Blade width
- ② Radius cut
- ③ Tooth spacing

N3700/N3800 - Saw blade length: 3556 mm		
Art. No.	Blade width	Tooth spacing
13.7.3806	6 mm	4,0 mm
13.7.3810	10 mm	6,0 mm
13.7.3815	16 mm	8,0 mm
13.7.3820	20 mm	8,0 mm

N 4400 - Saw blade length: 3980 mm		
Art. No.	Blade width	Tooth spacing
13.7.3406	6 mm	6,0 mm
13.7.3410	10 mm	8,0 mm
13.7.3415	16 mm	8,0 mm
13.7.3420	20 mm	8,0 mm
13.7.3425	25 mm	9,0 mm

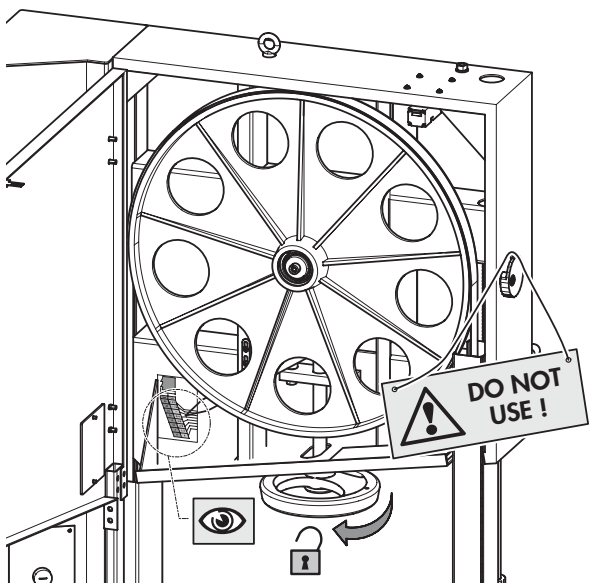


Fig. 7-2: Scale

The gap between the individual teeth should be large enough to carry the material chips and to throw them away. If the gap is too small, the blade will overheat and rupture.

Do not use kinked, ruptured or bent saw blades.

For soft wood, the set should be a max. of twice the thickness of the saw blade and for hard wood, a max. of 1.5 times the thickness of the saw blade.

Change blunt blades and have them sharpened by a specialist workshop or purchase a new saw blade.

It is recommended to use only high quality saw blades.

- i** **Attention!** Once the machine is no longer in use, loosen the belt tension and place an appropriate warning sign on the machine. This will thus prevent damage to the wearing surface of the wheels.

Operation

7.3 Saw blade replacement/tension

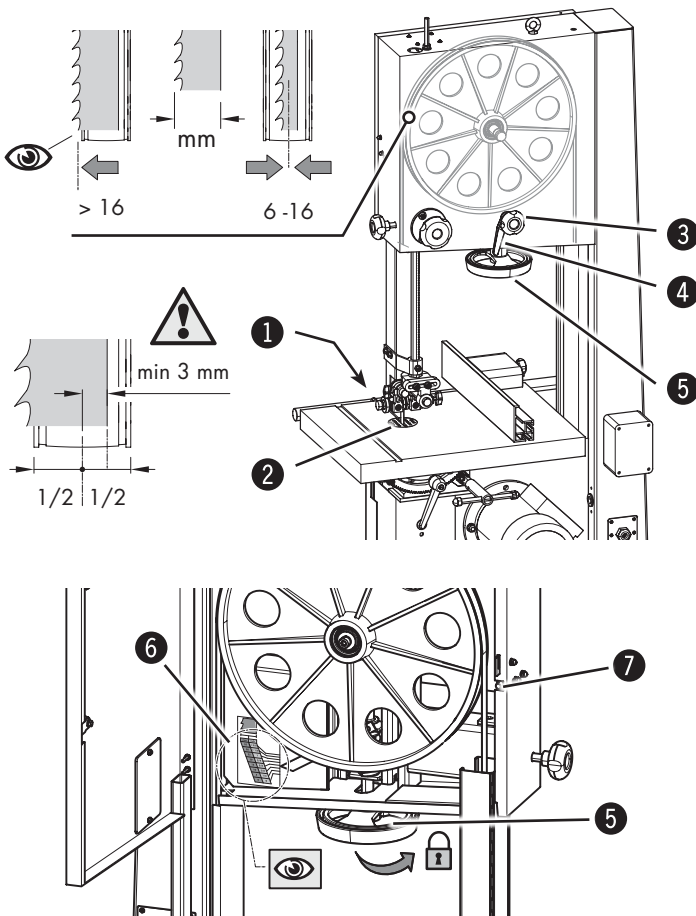


Fig. 7-3: Saw blade replacement

1. Disconnect the machine from the mains supply.
2. Remove table insert and positioning pin. Open wheel door.
3. Loosen the blade tension hand wheel by turning it clockwise. Unthread old blade through the machine table.
4. Place new saw blade over both wheels (note the direction of the cut!). Release the clamping lever and set the saw blade track using the hand wheel: **see sketches**
5. Turn the wheels manually and ensure that the saw belt glides properly around the wheels and does not collide with any solid machine parts.
6. Clamp the clamping lever. Check the saw blade tension and if required, adjust with the hand wheel. The values refer to the saw blade width.

- ① Positioning pin
- ② Table insert
- ③ Handwheel - Saw blade track
- ④ Clamping lever
- ⑤ Blade tension hand wheel
- ⑥ Scale
- ⑦ Securing bolt (Optional equipment)

7.4 Tilting the table

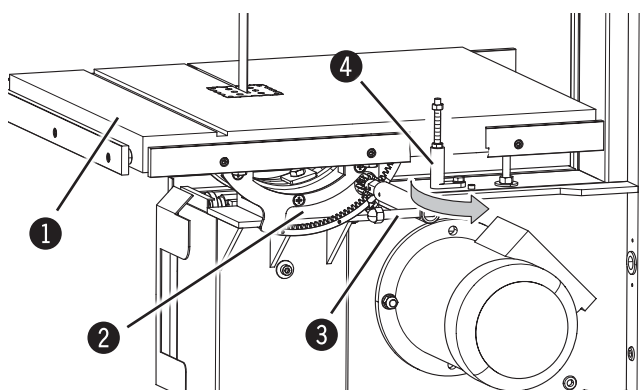


Fig. 7-4: Tilt

- ① Work bench
- ② Clamping lever
- ③ Lever
- ④ Fence - 0°

The machine working table can be tilted up to an angle from -5° (N4400: -10°) up to $+45^\circ$.

Adjusting the angle:

To tilt, remove the table padding to enable the saw belt to move through the table unimpeded. Open the clamping screw with the supplied spanner and tilt the table to the desired angle, which is displayed on the mitre scale. Tighten the clamping screw again.

Tilt -5° or -10° :

- Swing away the stop
- Adjusting the angle

To tilt the table back to its normal position, loosen the clamping screw once again and tilt the table up to the stop in the 0° position and clamp it in that position. (Swing back the stop)

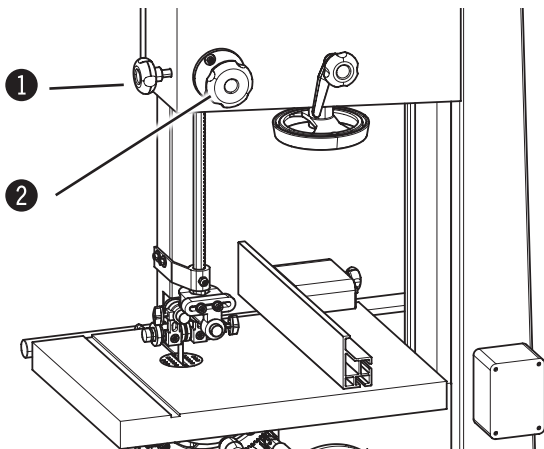
Operation

7.5 Adjusting the saw blade guide



Warning! Risk of injury!
Do not change settings whilst the machine is in operation!

7.5.1 Height adjustable protection device

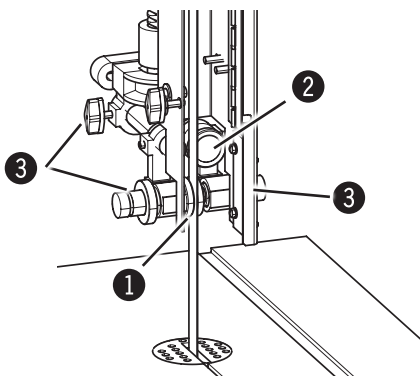


The upper saw blade guide has to be lowered as closely as possible to the work-piece (5–10 mm). To set the height, open the clamping screw and turn the hand wheel until the desired height has been reached. Tighten the clamping screw once again.

- ① Clamping screws
- ② Blade guide height adjustment

Fig. 7-5: Bearings

7.5.2 Saw blade guide upper / down (Optional with the N3700)



The side guide rollers should touch the saw blade slightly so as to obtain a straight and vibration-free cut.

The rear support roller prevents the saw blade thrusting backwards whilst cutting.

To adjust the position of the rollers, simply loosen the clamping screw.

- ① Bearings
- ② Support roller
- ③ Clamping screws

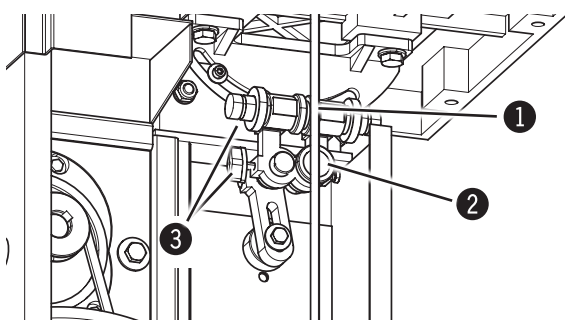


Fig. 7-6: Saw blade guide

Operation

7.6 Switching on the machine / Switching off the machine

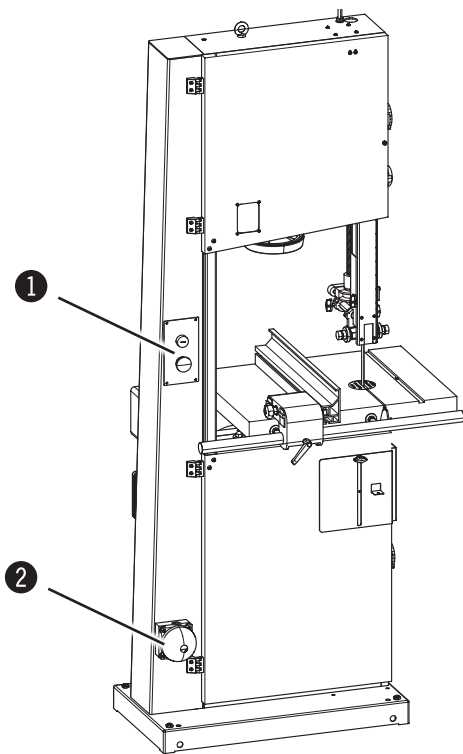


Warning! Risk of injury due to insufficient preparation!

It is only permitted to switch on the machine if, for the work at hand, the required preconditions are fulfilled and any preliminary work is completed. Therefore, the adjusting, fitting and operating instructions (see the corresponding chapters) must be read before switching on the machine.



Attention! The machine will not start with the doors open and will automatically stop if doors are opened during operation. (Only valid for the CE-version !)



The bandsaw has an On- and Off switch.

Green push button:
Switch machine on

Red push button:
Switch off the machine.

Optional equipment: Additional emergency stop

- ① On/Off switch
- ② Additional emergency stop

Fig. 7-7: On- and Off switch

7.7 Authorised working techniques

7.7.1 Longitudinal cut along the marked line

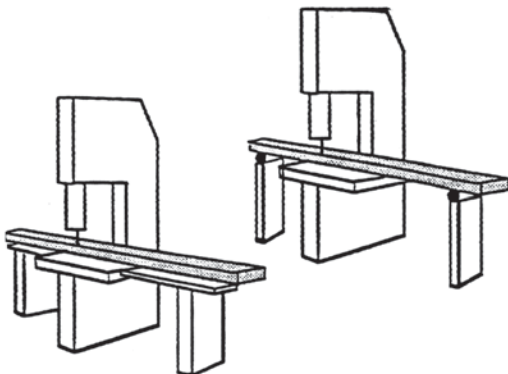


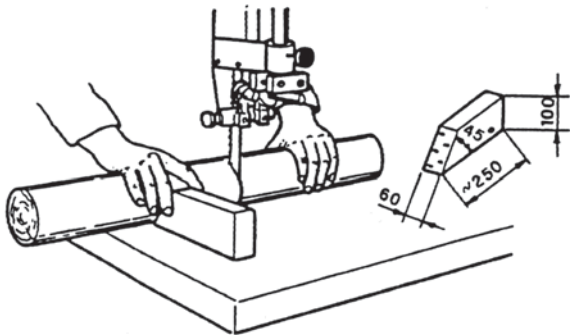
Fig. 7-8: Rip cut

All uses which differ from the following work techniques have not been intended for this machine and are therefore not authorised.

Feed the workpiece with constant speed and pressure forwards without applying sideways pressure. Do not interrupt the cut and do not pull the workpiece backwards. When cutting large pieces, use appropriate table extensions or roll supports.

Operation

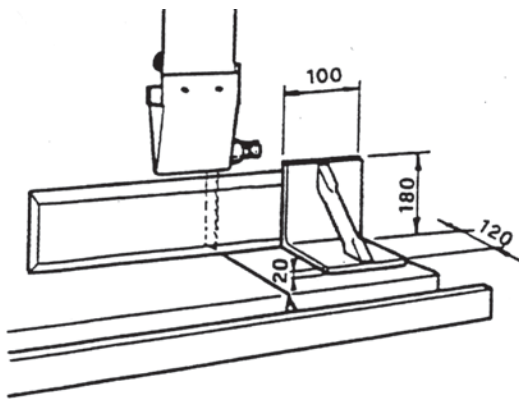
7.7.2 Cutting round workpieces in the transverse direction



Use an appropriate device with the minimum measurements as depicted in Fig. to avoid the workpiece twisting during the cutting process.

Fig. 7-9: Cutting a circular workpiece

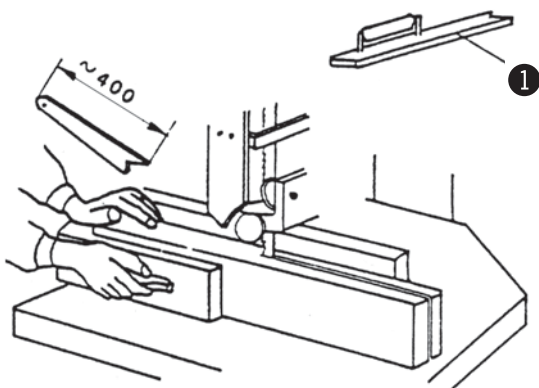
7.7.3 Cutting workpieces on the upright edge



Use an auxiliary fence with the minimum measurements to guide the workpiece safely.

Fig. 7-10: Auxiliary fence

7.7.4 Longitudinal cut of narrow or thin workpieces with the longitudinal guide fence



Use a push stick as depicted in Fig. to prevent your hands from coming too close to the saw blade.

① Push stick

Fig. 7-11: Push stick

Operation

7.7.5 Mitre cuts

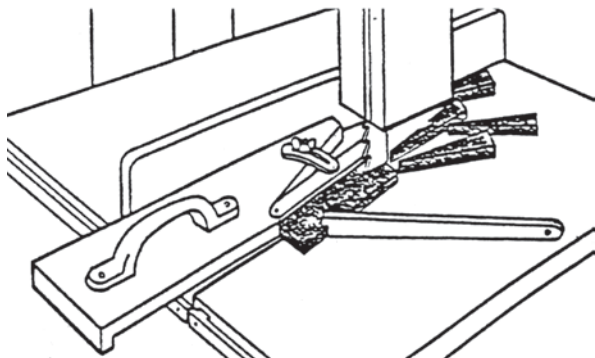


Fig. 7-12: Mitre cuts

Use auxiliary equipment as depicted in the figure.

7.7.6 Circular cuts

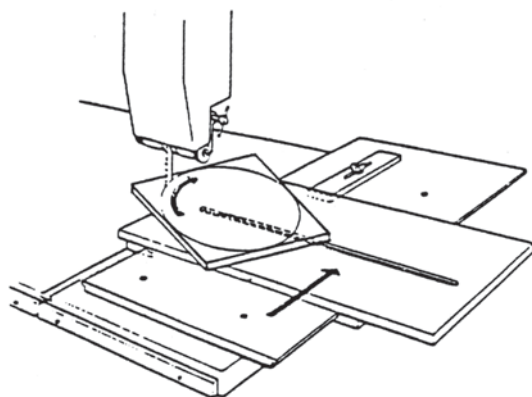


Fig. 7-13: Circular cuts

Use auxiliary equipment as depicted in the figure.

Accessories Order no.:
01.1.300

7.7.7 Diagonal cross-cut of rectangular workpieces

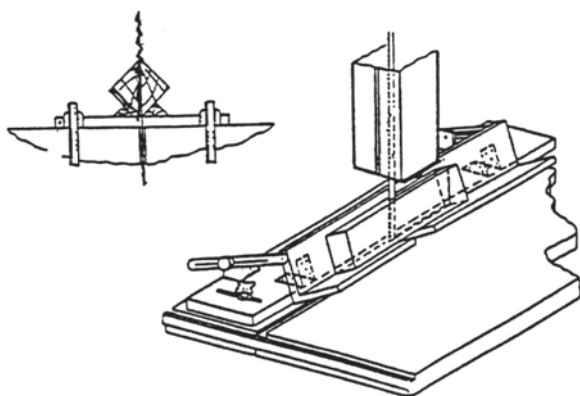


Fig. 7-14: Cross cut

Use auxiliary equipment as depicted in the figure.

Service

8 Service

8.1 Safety instructions



Warning! Risk of injury! Improper adjustment and setup work can lead to serious physical injury or material damage. For this reason, this work may only be carried out by authorised, trained personnel who are familiar with how to operate the machine and in strict observance of all safety instructions.

- Before beginning any maintenance work on the machine, switch it off and secure it against accidentally being switched on again.
- Before commencing any work with the machine, inspect it to ensure that it is complete and in technically good condition.
- Ensure that there is sufficient space to work around the machine.
- Keep the work area orderly and clean. Components and tools that are not put in their correct place or put away may be the cause of accidents!
- Install the safety equipment according to the instructions and check that it functions properly.



Warning! Danger! Electric current! Work on electrical fittings may only be carried out by qualified personnel and in strict observance of the safety instructions.

8.2 Tightening/replacing the drive belt

Over time, the drive belt will lose its capacity to transmit power. At this point, the drive belt must be re-tensioned or replaced.

The drive belt must be inspected monthly; if tears are discovered, the drive belt must be replaced.

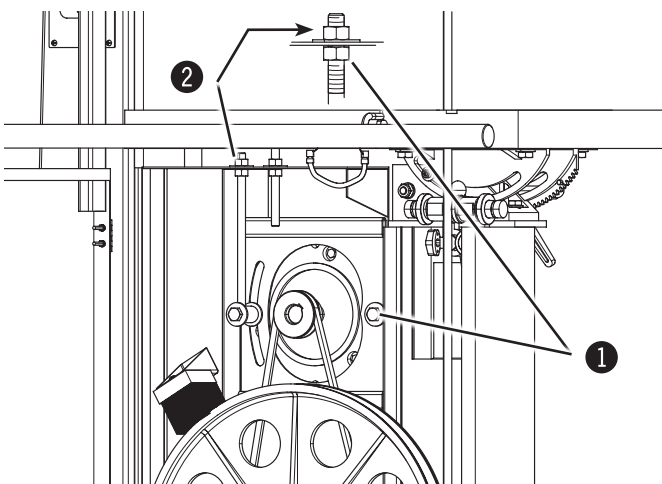


Fig. 8-1: Drive belts

Following the first few operating hours, the belt tension has to be controlled, as the belt will extend.

To check the tension, press inwards onto the belt in the middle with a weight of 3-4 kg. The belt deflection should not be more than 5-6 mm.

Retensioning the drive belt:

1. Loosen the nuts.
2. Use the belt tensioning screw to tension the drive belt.
3. Tighten the nuts.

It is important to always maintain the correct belt tension, as belts which are too loose will weaken the drive power and the brake power and belts which are overtightened will lead to overheating.

- 1 Nut
- 2 Tightening screw



Attention! Risk of material damage! Do not over-tension the drive belt! Stop turning the belt-tensioning screw once the drive belt is tensioned sufficiently, enabling it to transmit power effectively.

Service

8.3 Replacing the rubber wearing surface of wheels

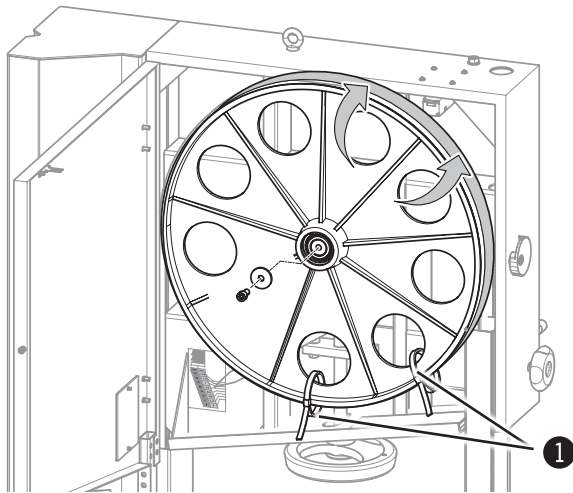


Fig. 8-2: Disassembling the upper wheel

It's highly recommended that this work is only carried out by a specialist or the manufacturer.

Removing the saw blade See chapter entitled: Saw blade replacement/tension

1. Remove the old wheel surface.
2. Attach and fix the new tread to the lower side of the wheel. (use cable ties if required)
3. Slide the tread over the top of the wheel.
4. Remove the fixing.
5. Ensure that the rubber wearing is seated properly with a few manual turns!

① Cable ties

8.4 Cleaning and lubrication

Clean the inside of the machine regularly with a vacuum to remove saw dust deposits and remove resin deposits from the wheel surfaces. The wheel bearings are sealed and do not need to be lubricated again.

It is not necessary to grease any parts on the machine, as the circulating saw dust would otherwise immediately stick to every greased or oiled surface, and would hamper the sliding properties of, for example, the blade

guidance or the belt tension unit. Regularly control the cleanliness of the wheel wearing surfaces, especially after resinous materials or chipboards have been cut. Only clean the wearing surfaces once the machine is idle and ensure that the wearing surfaces are not damaged during the process.

8.5 Direction of cut and parallelism

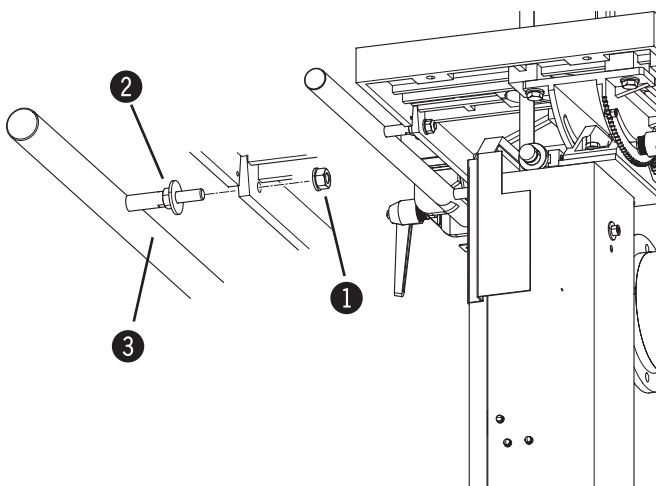


Fig. 8-3: Direction of cut and parallelism

If the cut, using the longitudinal stop, is still not parallel, the following are possible causes:

- Incorrect saw belt grinding and set
- Insufficient saw belt tension
- Incorrect longitudinal stop setting in relation to the saw belt.

Set the fence plate (guide):

1. Loosen the lock nuts.
2. Correct the position with the slotted round nut if required.
3. Tighten the lock nuts.

① Locking nuts

② Adjusting nut

③ Fence plate

Faults

9 Faults

9.1 Safety instructions



Warning! Risk of injury! Repairing faults incorrectly can result in personal injury or damage to the machine. For this reason, this work may only be carried out by authorised, trained personnel who are familiar with how to operate the machine and in strict observance of all safety instructions.



Warning! Danger! Electric current! Work on electrical fittings may only be carried out by qualified personnel and in strict observance of the safety instructions.

9.2 What to do if a fault develops

In most cases:

- In the event of a breakdown which creates danger for either personnel or equipment, the machine should be stopped immediately by activating the emergency stop.
- Also disconnect the machine from the mains and ensure it can not be switched on again.
- Inform those responsible for machine faults immediately.
- Type and extent of fault should be determined by an authorised professional, as well as the cause and repair.

9.3 What to do after rectifying the fault




Warning! Risk of injury!

Before switching the machine back on:

- The fault and its cause are professionally repaired.
- All safety equipment has been assembled according to regulations and is working correctly.
- Individuals are not located within the danger area of the machine.

Faults

9.4 Faults, causes and repairs

Fault	Cause and problem elimination
Machine does not start	Safety break switches are breaking the electric circuit ⇒ Ensure that the side doors are closed properly
	Emergency stop switch engaged ⇒ Unlock the emergency stop switch
Squeaking noises when starting up	Insufficient tension (Drive belt) ⇒ Retensioning the drive belt
The cuts are not straight	Check sharpness and set of saw blade
	Check the guide fence alignment
The saw blade is torn at the base of the individual teeth	Incorrect sharpness and constant overheating, or otherwise incorrect set of saw blade
	Width of saw blade is too thick in relation to the diameter of the wheel
	Defect or soiled wheel running surfaces
	Incorrectly aligned wheels ⇒  Felder
The saw blade is rupturing on the rear side	Feed rate or pressure is too high during cutting
	Poor welded joint ⇒ Saw blade replacement
	The rear support roller of the saw blade guide is defective
The machine comes to a stillstand with the saw belt locked into the workpiece	Stop the motor and loosen the the brake. Enlarge the cutting gap with a wedge and remove the workpiece. Prior to switching the machine on again, check the condition of the saw belt and its position on the wheels
The saw belt is straying forwards and backwards	The belt is not aligned with the welded joints ⇒ Saw blade replacement
The saw blade is slipping to the back at the beginning of the cut	The saw blade is not sharp enough or is unsuitable for the type of material to be cut, or the surface of the wheel is defective

10 Circuit diagrams / Spare parts

! Attention! The electrical diagrams supplied are only for the use of qualified electricians or the manufacturer's authorized technical personnel. These diagrams do not authorize you in any way to change the electrical parts or logic functioning.

i Note: The original spare parts that have been authorised for use are listed in a separate spare parts catalogue, enclosed in the documentation package supplied with the machine.

Hammer[®]

KR-Felder-Str. 1

A-6060 Hall in Tirol

Tel.: +43 (0) 52 23 / 45 0 90

Fax: +43 (0) 52 23 / 45 0 99

Email: info@hammer.at

Internet www.hammer.at